

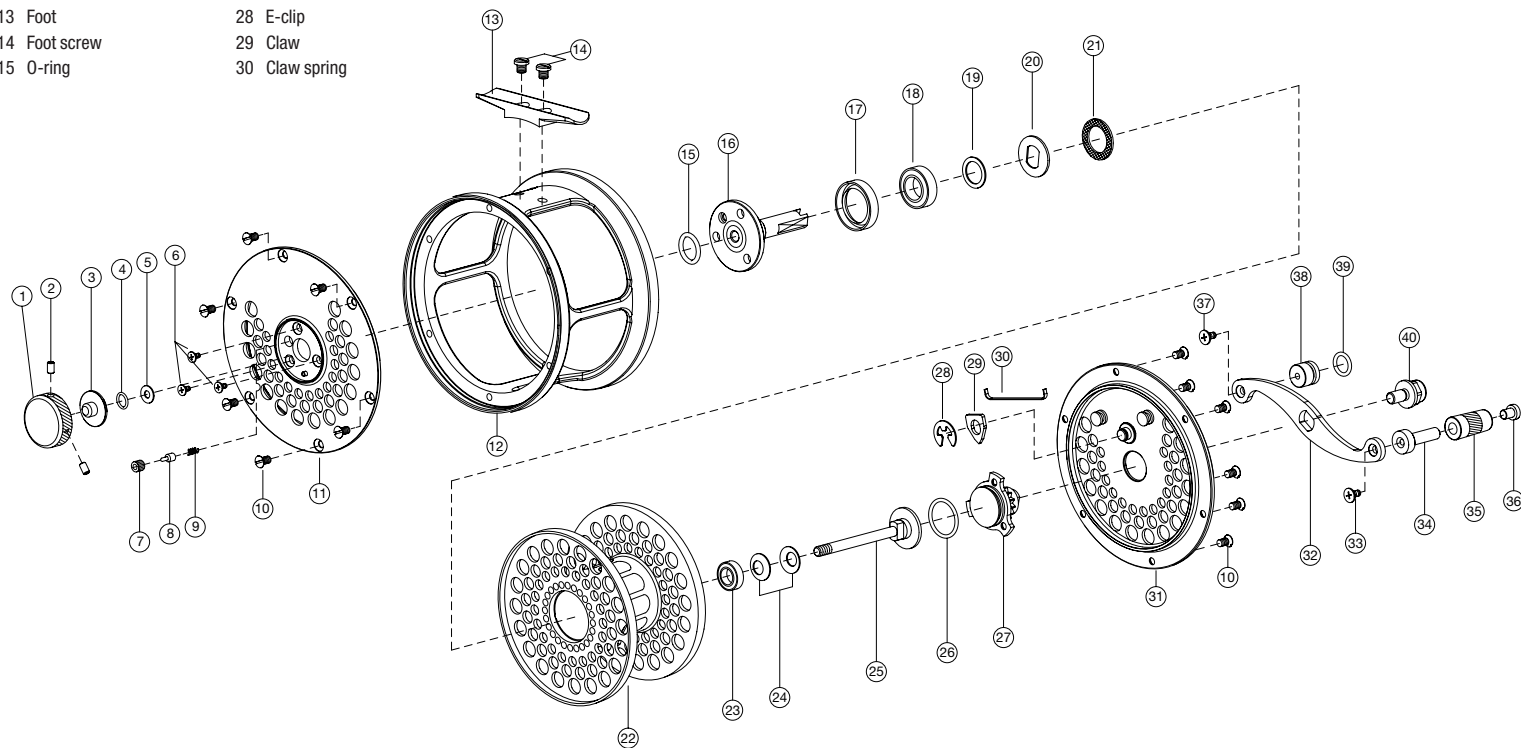
LOOP Classic fly reel parts list for model 46

- | | | |
|----------------------|-----------------|-----------------------|
| 1 Drag knob | 16 Main shaft | 31 Right cover |
| 2 Locking screw M3x5 | 17 Seal ring | 32 Handle arm |
| 3 Drag knob nut | 18 Ball bearing | 33 Handle rivet screw |
| 4 O-ring | 19 Washer | 34 Handle rivet |
| 5 Nut washer | 20 D-washer | 35 Handle knob |
| 6 Main shaft screw | 21 Carbon Plate | 36 Handle knob screw |
| 7 Click bush | 22 Spool | 37 Balance screw |
| 8 Click pin | 23 Ball bearing | 38 Balance |
| 9 Click spring | 24 Cup spring | 39 Balance o-ring |
| 10 Frame cover screw | 25 Draw bar | 40 Center |
| 11 Left cover | 26 O-ring | |
| 12 Frame | 27 Handle shaft | |
| 13 Foot | 28 E-clip | |
| 14 Foot screw | 29 Claw | |
| 15 O-ring | 30 Claw spring | |

Congratulations on the purchase of your new flyreel. We wish you many seasons of good use of your new reel in flyfishing. Good luck!

This reel is constructed so that maintenance is kept to a minimum. Therefore we strongly recommend not to take apart the reel.

CAUTION! Do not touch any moving parts of the reel when a fish is running.



LOOP Classic fly reel parts list for models 58, 79, 811 and 1013

- | | | |
|----------------------|-------------------------|-----------------------|
| 1 Drag knob | 16 Main shaft | 31 Right cover |
| 2 Locking screw M3x5 | 17 Seal ring | 32 Handle arm |
| 3 Drag knob nut | 18 Ball bearing | 33 Handle rivet screw |
| 4 O-ring | 19 Steel plate | 34 Handle rivet |
| 5 Nut washer | 20 Carbon Plate | 35 Handle knob |
| 6 Main shaft screw | 21 One way clutch ass'y | 36 Handle knob screw |
| 7 Click bush | 22 Spool | 37 Balance screw |
| 8 Click pin | 23 Ball bearing | 38 Balance |
| 9 Click spring | 24 Cup spring | 39 Balance o-ring |
| 10 Frame cover screw | 25 Draw bar | 40 Center |
| 11 Left cover | 26 O-ring | |
| 12 Frame | 27 Handle shaft | |
| 13 Foot | 28 E-clip | |
| 14 Foot screw | 29 Claw | |
| 15 O-ring | 30 Claw spring | |

Congratulations on the purchase of your new flyreel. We wish you many seasons of good use of your new reel in flyfishing. Good luck!

This reel is constructed so that maintenance is kept to a minimum. Therefore we strongly recommend not to take apart the reel.

CAUTION! Do not touch any moving parts of the reel when a fish is running.

